

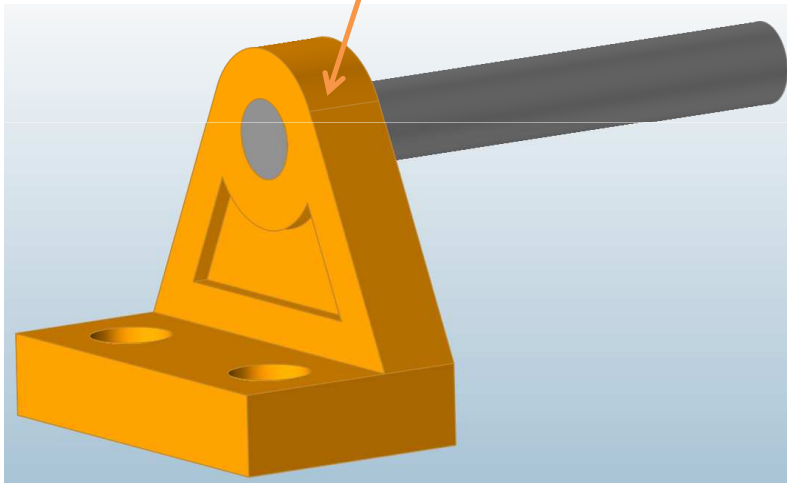
Transparent Parts

Different methods of making parts transparent for ease of viewing internal structures.

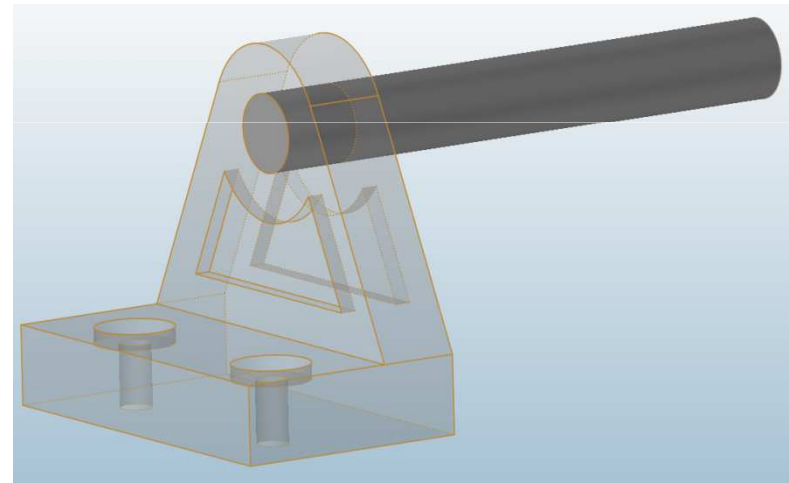
Transparent Parts 1



Click on any of the parts. Once properly selected the part will turn orange.

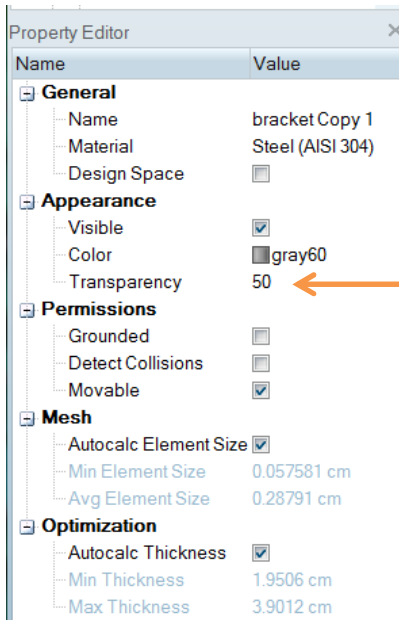
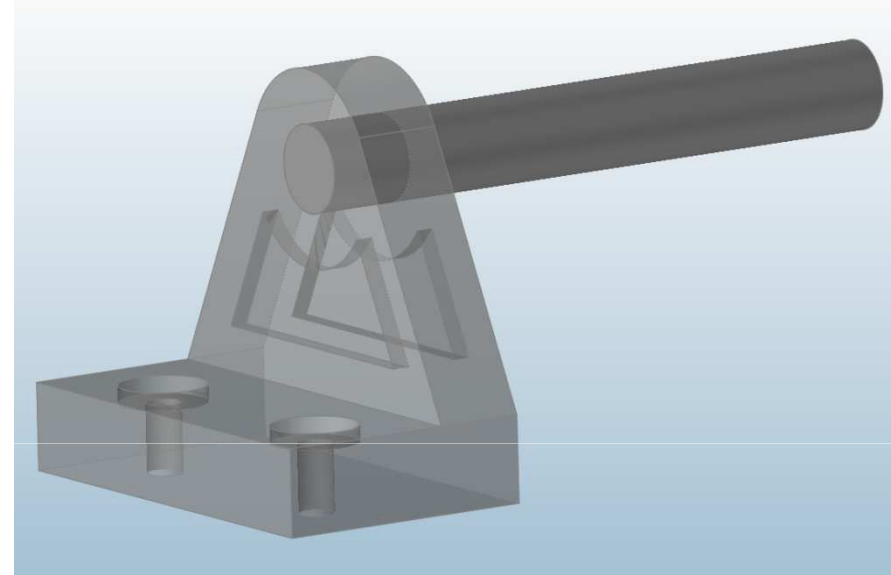
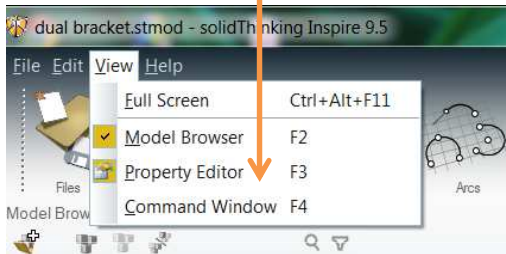


Click the Ctrl key on your keyboard and the part will become transparent. The Ctrl key can be toggled turn off/on transparency until the part is deselected.



Transparent Parts 2

Ensure the property editor is active in Inspire. Either press F3 on the keyboard or use the view toolbar to activate it.



Click on a part. Enter a value for transparency [0-100]. This will maintain the parts transparency until the value is changed.